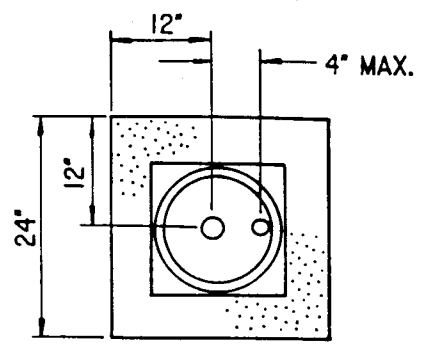
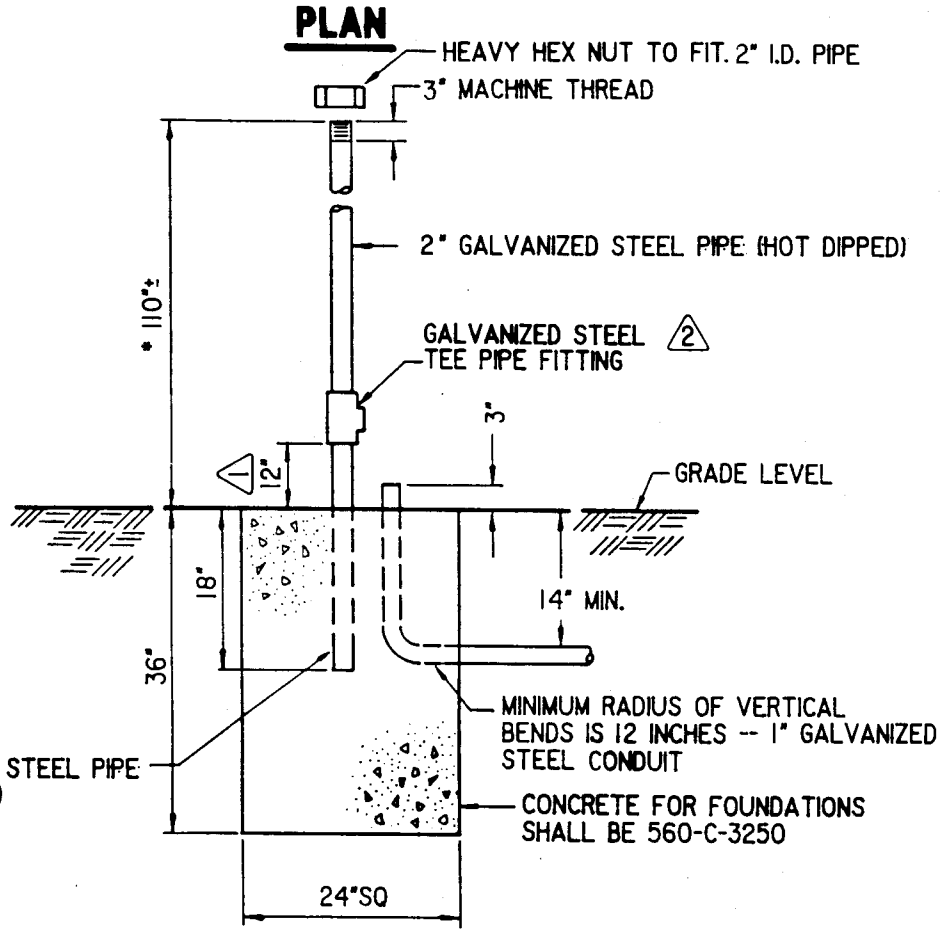


DATE	BY	REVISION	APVD.	DATE	BY	REVISION	APVD.
7/27/90	SLW	CHANGED FROM 6" TO 12"	WJS				
7/27/90	SLW	ADDED GALVANIZED STEEL	WJS				



PLAN



ELEVATION

* APPROX. DIMENSION ONLY. EXACT LENGTH TO BE MEASURED FOR EACH STREET LIGHT STANDARD.

CITY OF PASADENA - PUBLIC WORKS AND TRANSPORTATION DEPARTMENT

DRAWN BY: B. CHAU
CHECKED BY: S. WRIGHT
SUBMITTED BY: J. E. V.
DATE: JANUARY 18, 1990

STAND PIPE FOUNDATION DETAIL for CAST IRON POST-TOP STREET LIGHTS	APPROVED BY: <i>David E. Bumbart</i>
	CITY ENGINEER / TRANSPORTATION MANAGER
	DATE: <i>1/30/90</i>

SCALE: NONE
DRAWING NO. S-981
SHT. 1 OF 1